

Alsuhailli for Trading & Development

Company Profile

Table of Contents

Contents

About Us	3
Our Values:	4
Suppliers Products Range	12
Swimming Pool Equipment's.....	42
Contact Us	64

About Us

Alsuhaile Trading & Development was established in 1975 by Sheikh Mohammed Saad Abdullah Alsuhaile (R.I.P). Over the past fifty (50) years Alsuhaile Trading & Development has grown from a small establishment with limited capabilities to one of the leading companies in the field of trading (Supplier for Electrical Materials) in the Kingdom of Saudi Arabia. Our primary business is supply of all electrical power as:

- *Power.*
- *Control & Protection.*
- *Wiring Devices.*
- *All related products to residential, commercial, and industrial projects.*

We supply a full range of:

- Circuit breakers, MCB's, MCCB's, & ACB's.
- Cables, Wires, and Copper Busbar's.
- Instrumentation.
- Distribution Boards, SMDB's, FPB's.
- Motor Control Centres, and Control Transformers.
- LV/LV Transformers, and Control Transformers.
- Cable Accessories, Cable Ties, Cable Lugs, Cable Nut, etc.
- Wiring Accessories, Socket, Plugs, etc.
- Swimming pool & Spa equipment's.
- Sauna & Steam Generator.
- Fountain & Waterfall accessories.

We provide technical support such as:

- Analyse technical and commercial requirements and define products / applications to be used for bid opportunities.
- Prepares proposals defining technical, commercial conditions, pricing and other terms and conditions.
- Build and retain customer and supplier relationships.
- Operate in an environment of triple constraint (time, cost and quality).

One of our goals is to build a strong relationship with our clients, our sale and technical team works with clients and end users at every stage to ensure the assets are managed till last details.

Our Values:

- ❖ *Customer Focus & Trust.*
- ❖ *Integrity & Positivity.*
- ❖ *System & Processes Respect.*
- ❖ *Business & Environmental Sustainability*



A. N. Wallis & Co Ltd established in 1946 is a world-leading manufacturer of earthing, lightning protection, exothermic welding, and surge protection products. Products. We also offer expert design services for earthing & lightning systems.
www.an-wallis.co.uk



Tabalsa Arabia, established in Dammam, Saudi Arabia, is part of the Spanish Tabalsa Group (founded in 1952 in Barcelona). The company specializes in manufacturing electrical metallic tubing (EMT) and cable management systems, supplying high-quality products for major projects across the Kingdom and the wider region. With advanced production facilities and offices in Dammam, Riyadh, and Jeddah, Tabalsa Arabia has become a trusted partner in the electrical infrastructure sector.



ABB's Electrification business offers a wide-ranging portfolio of products, digital solutions, and services, from substation to socket, enabling safe, smart and sustainable electrification. Offerings encompass digital and connected innovations for low- and medium-voltage, including EV infrastructure, solar inverters, modular substations, distribution automation, power protection, wiring accessories, switchgear, enclosures, cabling, sensing and control.
www.abb.com



For more than 125 years, GE has invented the future of industry. Our vast and valuable installed base across aviation, power, healthcare and renewable energy keeps us intimately involved in the daily operations of our customers around the world. Today, GE additionally leads new paradigms in additive manufacturing, materials science and data analytics.
www.ge.com



Legrand is the global specialist in electrical and digital building infrastructures. Through its distributors and partners the Group provides innovative solutions to electrical contractors, specifiers and end-users.
www.legrand.sa



We reduce the weight of power lines so they can carry more power to more people. We help manufacturers use less while accomplishing more. We automate health care data so the right people get the right information. Across the globe, 3M is inspiring innovation and igniting progress, all while contributing to true global sustainable development through environmental protection, corporate and social responsibility, and economic progress. We are applying our science and innovation to make a real impact in every person's life around the world.

www.3m.com



The high level of technology and quality of PC Electric is of course found not only in more than 24,000 standard products. It is also to be found in every customized solution we produce with the most modern machines and systems. In the process our focus is on increasing efficiency and the reduction of overheads and operating costs. The result is not only highly innovative products and numerous patent specifications, but also first-class quality.

www.pcelectric.com



Sofamel S.L. is a Spanish company specialized in manufacturing electrical connection materials and safety equipment. It aims to provide comprehensive solutions through strict quality standards and continuous investment in machinery and design, offering one of the widest product ranges on the market.

www.sofamel.com



CONNECTWIRES manufactures high-quality copper cable lugs, connectors, and bimetallic lugs for the global market. In cooperation with customers, the company develops innovative electrical connectors while focusing on quality, service, and customization. Based in India with 150 employees, CONNECTWIRES relies on its skilled team to deliver top-quality products at competitive prices.

www.connectwires.com



Nissad Development Company Ltd, founded in 1980 in Nicosia, Cyprus, is a family-owned business specializing in the representation, marketing, and sales of industrial electrical products across Africa and the Middle East. Over 37 years, it has built a strong reputation for quality, competitive pricing, and excellent service, establishing itself as a reliable name in connection technology.

www.nissad.com



Telergon is a leading electromechanical engineering company, founded in 1953, specializing in load break switches, changeover switches, cam switches, and integrated solutions. With over 60 years of experience and in-house design and manufacturing, the company is now present in more than 40 countries, expanding into new markets with its own assembly facilities.

www.telergon.es



Top Cable brings energy to life through an extensive range of cables and cabling solutions that transmit power and information to millions of people, communities, and industries worldwide.

www.topcable.com



Nexans is a global leader in cable solutions with over 120 years of expertise. Operating in 41 countries with 28,500 employees, Nexans provides innovative and sustainable cables for building, infrastructure, energy, telecom, and industry — powering progress and enabling a smarter, greener future.

www.nexans.com



Guangdong Rifeng Electric Cable Co., Ltd., founded in 1986, is a leading manufacturer of rubber-sheathed cables. Serving industries such as energy, petrochemicals, machinery, robotics, and power tools, the company operates on a site of over 400,000 m², employs more than 3,000 people, and holds over 30 national patents.

www.rifengcable.com



LAPP: This name stands for innovative connection solutions like no other. Our brand stands for quality, customer service and a deep understanding of the industries and applications in which our products are used. We are the world market leader, supplying everything from cable, connectors, and accessories to fully integrated connection solutions

www.lappkabel.com



Bahra Electric, established in 2008 as Bahra Cables, quickly grew to become the 48th largest wire and cable company worldwide within eight years. The company has since expanded into 11 main product lines, offering a wide range of complementary electrical solutions to meet key customer needs.

www.bahra-electric.com



Since its inception in 1993, The Middle East Specialized Cables Co. (MESC) have Invested heavily in R&D, quality assurance, state of the art facilities and highly skilled and experienced workforce to ensure delivering high quality and reliable products, As a result, MESC is recognized as the supplier of choice for instrumentation and control cables by Oil and Gas companies and EPC contractors in the region.

www.mescables.com



Founded in 1977, Manumag S.L. is a company located in Muel (Zaragoza, Spain) which manufactures and commercializes a vast range of low voltage transformers. We are strongly consolidated throughout Europe, Middle east, Africa and America, promoting a continuous growth that allowed a new factory opening with a productive space of 6000 m2 at the beginning of 2007. Our production is specialized in control, isolation (even for medical locations), safety and swimming-pool lighting single-phase and three-phase transformers, single-phase and three-phase and autotransformers, power supply units and automatic voltage regulators.

www.manumag.com



Phonovox, S.A. is a Spanish manufacturing company based in Zaragoza that has been active since the 1960s, evolving continuously to meet modern demands ISO 9001 standard, certified by AENOR. Their products are designed and manufactured in compliance with international regulations and standards such as EN-61558.

www.phonovoxsa.com



American Falcon International, Inc coordinates marking, sales, shipping, and collection on an in-house basis for over eighteen leading manufacturers, AFI has accrued almost thirty years' experience in all aspects of sales and export of North American electrical materials worldwide. With careful attention to detail and accuracy, our specialists provide the best service available in this field.

www.americanfalcon.com



Rex Power Magnetics, founded in 1972 and based in Concord, Ontario, is a Canadian manufacturer of CSA-certified and UL-listed dry-type transformers and magnetic products. With over 270 employees, the company serves North American and international markets, offering custom transformers, reactors, and related solutions, distinguished by continuous innovation and strong customer service.

www.rexpowermagnetics.com



Founded in 2007 following the split of Tyco International to create Tyco Electronics Ltd and Covidien, the company later changed their name to TE Connectivity in 2011. This name change was intended to better communicate the company's position as a connector and sensor component manufacturer. Headquartered in Berwyn, Pennsylvania and as a 14 billion USD technology leader globally, TE Connectivity employs 80,000 people in 50 countries across EMEA, Asia Pacific and the Americas. Recognized by Thomson Reuters as a Top 100 Innovator for the fourth year running, TE invests 5 percent of its sales into Research and Development and has over 18,000 patents awarded or pending.

www.te.com



IDE Electric, S.L. (IDE) is a company working in the electrical sector which manufactures and distributes plastic and metal enclosures for low voltage electricity distribution and for the telecommunication sector. IDE also manufactures plugs and sockets for industrial applications.

www.ide.es



IDEAL Electrical is part of IDEAL INDUSTRIES, INC., a family- owned, professionally run company with a 100-year history of building relationships, providing top customer service and setting industry standards in the process.

www.idealind.com



In 1966, five men intent on manufacturing high-altitude balloons founded a company in suburban St. Paul, Minnesota, that they called Pentair, the Greek “penta” for the five founders and “air” for the products they planned to produce. Pentair diversified quickly, venturing into industries ranging from plastic canoe manufacturing to computer software, to leather footwear, before acquiring a series of paper mills that would serve as the company’s core for nearly two decades. Known for a willingness to venture into new industries and its ability to find operating efficiencies, which would become the cornerstone for the Pentair Integrated Management System, the company transformed from a paper company to a tool company and ultimately a water company—all while delivering consistent growth and profitability.

www.pentair.com



For over 80-years, we've been helping pool owners enjoy the pleasures of pool ownership by manufacturing cutting edge, technologically advanced pool equipment worldwide. We strive to ensure that your Totally Hayward™ System operates at maximum efficiency all season long. Our goal is that at the end of the day, your only concern is to turn your equipment on and off. Whether you are trying to create the perfect backyard environment, reduce operating and maintenance costs through the ease of wireless controls, Hayward is your single source solution. Our products include a complete line of technologically advanced pumps, filters, heaters, heat pumps, automatic pool cleaners, lighting, controls and salt chlorine generators—high-quality components engineered to work together to keep your pool at its best.

www.hayward-pool.com



Since 1970, we specialize in manufacturing and distributing fountain products, swimming pool accessories and sauna products, both for private and commercial use. Our specialization, reliability and trustworthiness have ranked us as one of the largest Greek companies in the global market. For decades now we supply the work marker with our product and we cooperate with companies in more than 40 countries. We provide for professionals and individuals in the Middle East, Europe, America and Asia.

www.acquasource.eu/en/



Filinox and Torbesa specialises in designing and manufacturing stainless steel products. We have been operating in this market for more than 50 years. Our company is committed to contributing know-how and experience with a view to providing the most appropriate technical solutions. Our advanced logistics allow us to incorporate a flexible and integrated service into the value chain of our customers.

www.inoxidables.com



Pahlén is a genuine Swedish company with 50 years experience of manufacture of quality products for swimming pools. We offer equipment for small private pools as well as large public facilities. The products are made of bronze, acid-proof stainless steel, titanium and thermoplastic, first-rate quality materials, a guarantee for an outstanding lifetime and reliability. All our products are manufactured in our factory in Upplands Väsby.

www.pahlen.com



1971 Ludwig Praher founds "Ludwig Praher Kunststoffverarbeitung und Formenbau". As a one-man operation, production is started on technical plastics components and injection moulding tools for their manufacture .

www.peraqua.com



Suppliers Products Range



A.N. Wallis & Co Ltd, established in 1946, is a global leader in manufacturing earthing, lightning protection, exothermic welding, and surge protection products. The company also provides expert design, site support, and supervision services for earthing and lightning systems in compliance with international standards (BS EN 62305, BS 7430:2011, and BS EN 62561).



Earth Rods & Accessories

Copperbond Earth Rods, Solid Copper Earth Rods, Stainless Steel Earth Rods, Rod Couplers, Driving Studs, Driving Heads, Driving Spikes, Coupling Dowels.



Earth Rod Clamps

Earth Rod to Tape 'A' Clamps. Earth Rod to Cable 'G' Clamps. 'U' Bolt Clamps. 'GUV' Clamps. Split Connector Clamps. Rebar Clamps.



Earth Electrode & Earthing Compound

Solid Copper Lattice Earth Mats, Solid Copper Earth Plates Low Res Earthing Compound, Bentonite.



Earth Inspection Pits

Heavy Duty Plastic Earth Inspection Housing, Light Duty Earth Inspection Housing, Concrete Earth Inspection Housing, Inspection Housing Earth Bars.



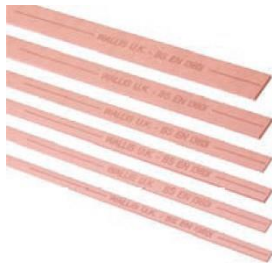
Earth Bars

Standard Earth Bars. Tinned Earth Bars, Earth Bars with Single Disconnecting Link, Earth Bars with Double Disconnecting Links, Disconnecting Link, Telecommunications Earth Bar, Special Earth Bars.




Lightning Protection Products

Air Rods, Taper Pointed Air Rods, Multi-Point, Free Standing Air Terminals, Air Rod Saddles, Air Rod Brackets, Rod to Tape Couplers, Slate Holdfasts, Pyramid Holdfast, Strike Pads, Puddle Flanges.



Conductors

Copper Tape. Copper Bar. PVC Covered Copper Tape. Tinned Copper Tape. Aluminium Tape. PVC Covered Aluminium Tape. Solid Circular. Tinned Flexible Cooper Braid. PVC Sheathed Cable. Bare Stranded Cooper Conductor.



Clips & Clamps

Metallic DC Clips. Non-Metallic DC Clips. Tape Clips. Weldable DC Clips. Adhesive Clips. One Hole Conductor Clips. Push In Clips. Wrap Over Clips. Square Tape Clamps. Oblong Junction Clamps. Plate Type Test Clamps, Screw Down Test Clamps, Bimetallic Connectors.



Cu-nnect Exothermic Welding System

Exothermic Welding Moulds, Handle Clamps, Weld Powders Tools & Accessories.



Surge Protection Devices

Single Phase, Three Phase, Type 1, Type 2, Type 3, Mains Distribution Protection, Single Circuit Protection, Data Line Protection, Telecom Protection, Photovoltaic Protection, Equipotential Bonding Mains Socket Strips.

EMT PIPE TA



SAUDI ARAMCO ID. 10040892

Product: Pipe

Material: Steel

Exterior surface: Galvanized

Interior surface: Galvanized

Weld protection: Metalized Zinc

Additional protection: Antioxidant paint

Thread: Unthreaded

Conformance: UL 797 / ANSI C80.3

Length: 3.05 meter rods

EMT BEND TA



SAUDI ARAMCO ID. 10040892

Product: Bend 90°

Material: Steel

Exterior surface: Galvanized

Interior surface: Galvanized

Weld protection: Metalized Zinc

Additional protection: Antioxidant paint

Thread: Unthreaded

Conformance: ANSI C80.3

Application: Change of direction



Product: Liquid tight Steel Flexible

Material: Galvanized steel & PVC coated grey color

IP Rating: IP66 + IP67+ IP68 (5 bar)

Application: UV-resistant and can be used for external use.

Features: Flexible construction, corrosion resistance, a smooth interior for easy wire pull-through, high mechanical strength, and flexibility in economic design.



Product: Compression Connector

Material: Zinc die cast

Application: To terminate electric metallic tubing to a metal box

Specification reference: UL 514B

UL file number: E475276



ABB's Electrification business has always been at the forefront of innovative electrification and today is writing the future of safe, smart and sustainable electrification. ABB provides a full range of low-voltage solutions to protect, control and measure a wide range of electrical installations, enclosures, switchboards, electronics and electro mechanical devices. This offering of products improves reliability and efficiency for the customers across all major industries, including residential markets.

MCB



1/2/3/4 pole, 0.5 A up to 125 A

RCCB



2/4 pole, 25 A up to 125 A

RCBO



6A up to 63A

Enclosed switch-disconnectors



**2/3/4/6 pole, 16 A up to 1600 A –
IP54 & IP65 plastic & steel enclosure**

MCCB



XT series 3 pole, 16 A up to 250 A


MCCB


**SACE Formula series 1/2/3/4 pole,
15 A up to 630 A**

ACB


630 A up to 6300 A

STYLER

Mini Center

AF Contactor Range

**Thermal & Electronic
Overload Relay**


- Thermal relay up to 200A
- Electronic relay up to 800A

Manual Motor Starters


Harmonized family up to 80 A

**Measuring &
Monitoring Relays**

PIR

Temperature Monitor




GE offers a wide variety of general duty switches for residential and light commercial purposes, while their extensive line of heavy-duty switches is best suited for commercial and industrial applications. For the toughest industrial environments – like cement foundries, steel mills and processing plants – mill duty and stainless-steel switches are available. GE also offer a variety of double throw switches for emergency generators. No matter what the application, they got you covered with a rugged, reliable and easy-to-install Spec Setter safety switch.



General / Heavy Duty Safety Switches
2/3/6 Poles, 240V & 600 V
NEMA Standards



Heavy-Duty Stainless-Steel Safety Switches

2/3 Poles, 240V & 600V

NEMA Standards



Legrand proposes a set of a fast-deployable solutions integrating cutting-edge technology to guarantee efficient power protection and effective service continuity. Legrand also provides the most complete line of residential, commercial and industrial wiring devices and accessories in the world. From switches to receptacles, wall plates to lighting controls, all with innovation and intelligence designed in from the start.



Switches

Isolator Switches

Cable Outlet

Plate's



PIR



Switches



Socket Outlet's



TV Socket
Mounting

Data socket



Junction Box



Adaptor



Surface


ACB

DMX³ (up to 6300A)
MCCB

DPX³(up to 1600A)
MCCB

DRX (up to 630A)
MCB

1,2,3,4 POLE (6 TO 100 A)


- In = 3 to 63 A
- 1P/2P/3P/4P
- Breaking capacity **4500** and **6000** at 230/400 V~
- Breaking capacity **6000** and **10000** at 127/220 V~
- B and C curve
- Conform to standard IEC 60898-1

CTX3

4 162 46

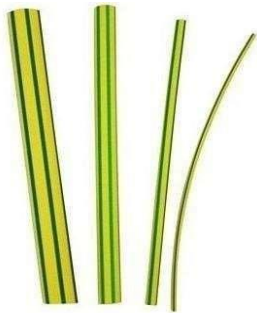
4 162 56

4 162 96

4 163 56
3P/4P Industrial Contactors

3M

3M products “more than 60,000 products” are used in homes, businesses, schools, hospitals and other industries. One third of their sales come from products that they invented, thanks to innovations from the thousands of researchers and scientists that they employ around the world. 3M is committed to create the technology and products that advance every company, enhance every home and improve every life.



**High Flexible Polyolefin
Tubing, Heat Shrink Tubing**



3M™ Scotchcast™ Resin Kit 92-NBA



3M™ Scotchflex™ Cable Tie



3M™ Temflex™ 1500NV 3/4" x 10YDS



3M™ Wire Connectors



Scotch® Vinyl Color Coding Electrical Tape 35



Connection
to the future

Industrial Plugs & Sockets

PCE is a world leader in the development and production of industrial plugs and sockets with an export share of over 80%. PC Electric positions itself to this principle in the development, production and sale of extremely high-quality industrial plugs and sockets.

CEE-plug 125A 5p 6h IP67 POWER TWIST



045-6

CEE-plug 125A 5p 6h IP67 POWER TWIST
housing material: PA6
rated current: 125A
number of poles: 5 (3P+N+PE)
clock-position: 6h
rated voltage/frequency: 200/346V~ - 240/415V~ / 50+60Hz
contacts: brass nickel plated, with pilot pin
connection technology: frame terminals with screws
IP protection class: IP66/IP67



CEE-connector 125A 5p 6h IP67 POWER TWIST

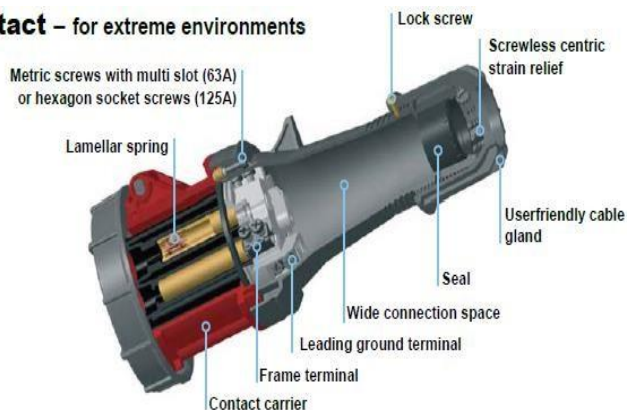


245-6

CEE-connector 125A 5p 6h IP67 POWER TWIST
housing material: PA6
rated current: 125A
number of poles: 5 (3P+N+PE)
clock-position: 6h
rated voltage/frequency: 200/346V~ - 240/415V~ / 50+60Hz
contacts: brass, with lamellar spring (CuBe)
connection technology: frame terminals with screws
IP protection class: IP66/IP67



One contact – for extreme environments



Connector-3way 3x16/3 Plug16/3 6h IP44

Connector-3way 3x16/3 Plug16/3 6h IP44
housing material: PC/ABS
rated current: 16A
number of poles: 3 (2P+PE)
clock-position: 6h
rated voltage/frequency: 200-250V~ / 50+60Hz
contacts: brass nickel plated
Entry: 1x CEE-plug 16A 3p 6h
Outlet: 3x CEE-socket 16A 3p 6h
ready wired
IP protection class: IP44





Connection
to the future

CEE-wall mounted socket 16A 3p 6h IP44



113-6

CEE-wall mounted socket 16A 3p 6h IP44
housing material: PA6
rated current: 16A
number of poles: 3 (2P+PE)
clock-position: 6h
rated voltage/frequency: 200-250V~ / 50+60Hz
contacts: brass
connection technology: screw terminals
cable entry: top and rear
inc. threaded cable grommet
IP protection class: IP44



CEE-wall mounted plug 32A 4p 6h IP44



524-6

CEE-wall mounted plug 32A 4p 6h IP44
housing material: PA6
rated current: 32A
number of poles: 4 (3P+PE)
clock-position: 6h
rated voltage/frequency: 380-415V~ / 50+60Hz
contacts: brass
connection technology: screw terminals
IP protection class: IP44



CEE-flanged socket sloping (100x112) 63A 5p 6h IP67 POWER TWIST



435-6

CEE-flanged socket sloping (100x112) 63A 5p 6h IP67 POWER TWIST
housing material: PA6
rated current: 63A
number of poles: 5 (3P+N+PE)
clock-position: 6h
rated voltage/frequency: 200/346V~ - 240/415V~ / 50+60Hz
contacts: brass, with lamellar spring (CuBe)
connection technology: frame terminals with screws
dimensions (flange/fixing center): 100x112 mm / 80x88 mm
IP protection class: IP66/IP67



PCE Criteria

Amp Rating: 16A , 32A , 63A , 125A

NO. PIN: 2P , 3P ,4P , 5P

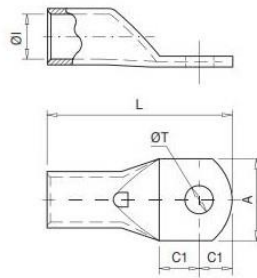
Type: Mobile plug , Mobile socket , Socket
Panel Mounted , Socket wall Mounted ,
Wall Mounted Plug

IP Protection : IP44 , IP67



Cable Lugs & Sleeve

Sofamel S.L. is a Spanish company specialized in electrical connection materials and safety equipment. With strict quality standards and continuous innovation, **Sofamel** offers one of the widest product ranges in the market, including **Cable Lugs** and **Sleeves**.

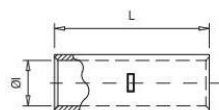


10101 T

Copper cable lug

T cable lug manufactured from electrolytic copper tubing with a tin-plated surface finish to improve electrical contact. Incorporates inspection hole to check the correct cable positioning.

According to IEC 61238-1-1 standard.



10110 M

Copper butt-connector

M copper butt-connector manufactured from electrolytic copper tubing with a tin-plated surface finish to improve electrical contact. Incorporates a central stop which facilitates the correct cable positioning.

According to IEC 61238-1-1 standard.

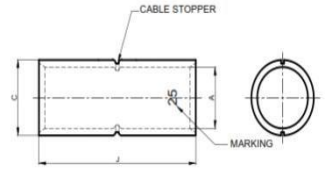
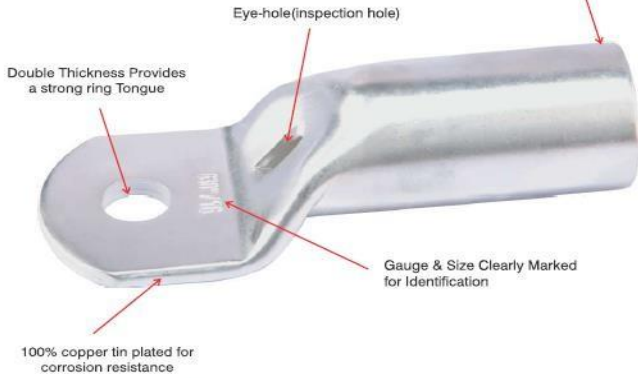
Cable Glands & Lugs

CONNECTWIRES manufactures high-quality copper cable lugs, connectors, and bimetallic lugs for the global market, continuously developing innovative electrical connectors with a strong focus on quality, service, and customization.

Quality Products.

Barrel Diameter : Type of conductors -
 - compacted.
 - non-compacted.
 - flexible(class 5 and 6, according to IEC60228)
 - number and arrangement of strands.

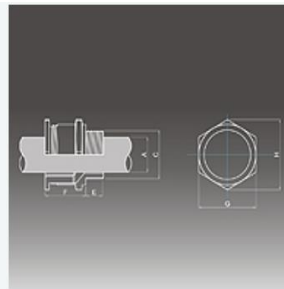
Wide Variety of Copper Tubular Lugs & Connectors for all applications.



General Features

- Electrolytic copper 99.95% purity.
- Annealed material ensures optimal crimping properties.
- Tin plated surface 3 microns.
- Internal chamfer for easy cable insertion.
- Operating Temperature - 55° to 155° C.

Wide Variety of Brass Cable Glands
for all applications.



Glands

Material	Brass
Finish	Natural Brass or Nickel Plated



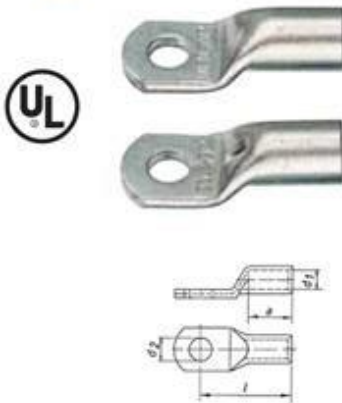


Changeover Switches

Nissad Development Company Ltd, founded in 1980 in Nicosia, Cyprus, specializes in the representation, marketing, and sales of high-quality industrial electrical products. With over **40 years** of experience, **Nissad** is recognized for its wide product range, competitive pricing, and excellent service, positioning itself as a reliable supplier and an expert in cable connection technology.

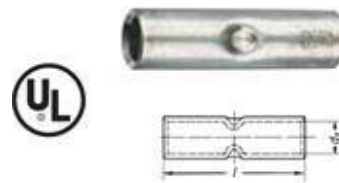
■ Tubular cable lugs, copper 0,75 - 1000 mm²

- With or without inspection hole
- Material: Copper acc. to EN 13600
- Surface: tin plated



■ Butt-connectors, copper 0,75 - 1000 mm²

- Material: Copper acc. to EN 13600
- Surface: tin plated



Changeover Switches without Enclosure



Changeover Switches with Enclosure



ST-FMU 6-16

telergon

gorlan

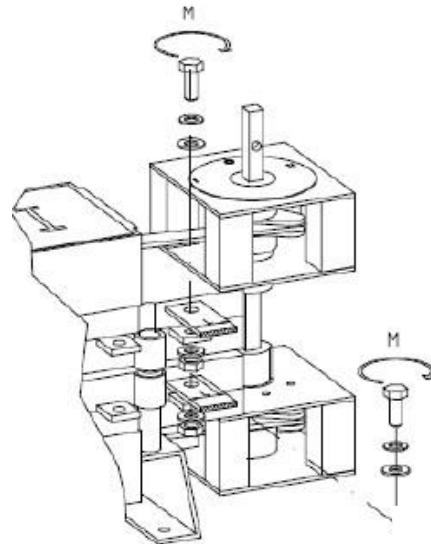
Changeover Switches

Telergon is a leading electromechanical engineering company with over 65 years of experience, specializing in load break switches, changeover switches, cam switches, and integrated solutions. With in-house design and manufacturing, it serves over 40 countries and continues expanding into new markets with its own assembly facilities.

AC-Changeover switch Model S5000 – 1600A



Standards. IEC 60947-1 & 3



Quality Telergon, S.A.U.

ISO 9001 & 14001



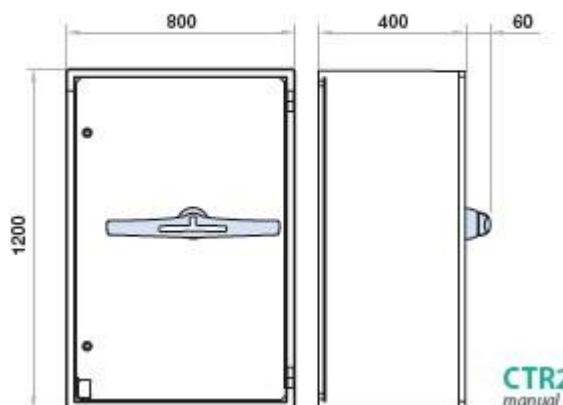
Testing as per IEC 60947-3. Approvals

IPH Berlin



Metal enclosed - IP66
3P + N

Dimensions (mm)





Rubber Cables

Xtrem® H07RN-F rubber cables are designed for low-voltage appliances, including electric motors and submersible pumps. With high flexibility and mechanical strength, they are suitable for fixed or mobile installations, outdoor or buried (with extra protection), and can also be used in refrigeration systems.



H07RN-F

Maximum service temperature: 90°C.

H07RN-F cables are designed to power all types of electrical equipment including motors and submersible pumps in deep water installations (ADS).



LOW VOLTAGE 450/750 V



Flame non-propagation based on EN 60332-1 and IEC 60332-1.



Maximum service temperature: 90°C.



UNE-EN 60332-1



Industrial use / Mobile use / Robotics / Temporary site installations / Windmills



E_{ca}



EN 50525-2-21 / IEC 60245



Rubber Cables

Nexans is a French multinational company recognized as one of the world's leading cable manufacturers. Among its wide product portfolio, Nexans specializes in rubber flexible cables, designed to meet the toughest industrial applications by providing durability, safety, and high performance. With decades of expertise and a strong global presence, Nexans continues to power industries with innovative and sustainable cable solutions.

Industrial flexible cable, insulation and outer sheath in elastomer.
Oil resistant, flame retardant according to IEC/EN 60332-1-2 standard.



Standards

EN 50525-2-21; HD 22.4; HD 516; IEC 60245-4 type 66; NF C32-102-4

Application

LINEAX flexible cable is intended for installations with moving equipment, electric appliances and for building sites. The cable may be rated 0,6/1 kV where the installation has built-in protection and for motors in lifting appliances - machine tools - etc.

This cable can be used in refrigerating installations.

Max continuous operating conductor temperature in normal use :

- +60°C (in every case of mobile installation)
- +85°C (fixed protected installation)
- +200°C (in short circuit)

Operating temperature, range -25 ... 55 °C

Oil resistance Yes



Rubber Cables

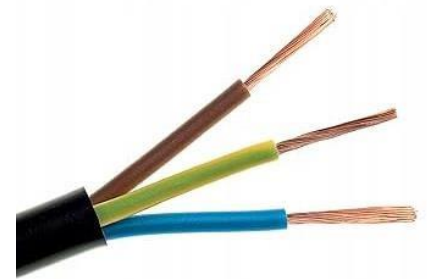
Rifeng Cable is a leading manufacturer of rubber-sheathed flexible cables, providing durable and high-performance solutions for industrial, energy, and construction applications worldwide. Founded in 1986, the company combines decades of expertise with advanced production facilities to deliver reliable and innovative cable products.

H07RN-F Cable

Product certification: SAA,VDE,KC, EAC, CE, CPR,NF

Basic parameters:

- **Rated voltage** : 450/750V
- **Rated temperature** : 60°C
- **Implementation standard** : AS/NZS 60245



Conductor structure:

- **Conductor material** : Bare soft copper stranded wire
- **Insulation material** : EPDM and equivalent compound rubber
- **Sheath material:** Chlorinated polyethylene

Specs	Details
Voltage	450/750V (1000V for motors).
Temp Range	-30°C to +60°C (up to +85°C if fixed).
Colors Available	Black sheath with colored wires.
Core Options	1-5 wires (5G10 for motors).

This cable meets EU safety rules (BS EN 50525-2-21) and is tested by ISO/IEC 17025 labs. Need fire-safe cables? Choose CPR-compliant options.

Wires

LAPP, founded in 1957 by Oskar Lapp, produces cables and conductors for various industries, including mechanical engineering, automotive, MSR technology, and electrical installations. With 18 production sites, 44 sales organizations, and 100 national partners, LAPP combines a global network with the strengths of a family company, offering both standard and custom solutions.

ÖLFLEX® CLASSIC 115 CY



Good chemical resistance



Interference signals



Torsion-resistant

Benefits

Space-saving installation due to small cable diameters

Application range

Measurement and control technology
 Plant engineering
 Industrial machinery
 Heating and air-conditioning systems
 Office machines and systems for data processing
 In EMC-sensitive environments
 (electromagnetic compatibility)
 Suitable for torsional applications which are typical for the loop in wind turbine generators (WTG)

ÖLFLEX® CLASSIC 110 BK



Good chemical resistance



Oil-resistant



Power chain



Torsion-resistant



UV-resistant

Benefits

Suitable for outdoor applications
 Wide choice of standardized lengths and individual cuts

Application range

For fixed installation as well as occasional flexing at free, non-continuously recurring movement without tensile load Dry or damp rooms that are subject to medium mechanical loads

Wires & Cables

Bahra Cables Company, established in 2008 in Bahra Industrial City near Jeddah, spans over 200,000 m² including factory, design offices, labs, and storage. It specializes in manufacturing and distributing electric cables, focusing on high-quality products and services using advanced European technology with support from German experts and engineers.



CU/PVC | 450/750V

Specification

Designation Type 60227 IEC 01 & BS EN 50525-2-31 and SASO 1320. Flame Retardant to IEC 60332-1 Vertical Flame Propagation Test.

Conductor:

Soft annealed copper according to BS EN 60228, Class 1, Class 2 stranded and Class 5 flexible conductor.

Insulation

Thermoplastic insulation type PVC/E according to IEC 60227 90°C & wire heat resistant type TI - 3 to BS EN 50363-3 also 70 °C PVC type TI - 1 to BS EN 50363-3 is available. Colors are available upon request.

Special Requirement (upon request):

Max. Conductor Temperature 105 °C

Oil and sunlight resistant.

Different packing options are available.



Wires & Cables

Middle East Specialized Cables Company (MESC), established in 1993, is a leading manufacturer and supplier of high-performance cables, including LV Power & Control, building wires, flexible cables, communication cables, and premium PVC compounds, serving sectors like O&G, petrochemical, industrial, commercial, railway, automotive, military, and renewable energy.

Key Products:

- Insulated Single Wires: For equipment wiring, lighting, or conduit distribution; solid, stranded, or flexible copper; 600/1000 V; heat-resistant PVC insulation as per customer requirements.
- BU and BR PVC Insulated Cables (BS 6231): For domestic and office use, flexible for light duties, not suitable for heating or cooking appliances.

**0.6/1 KV
XLP insulated Cables**



Specification: BS 5467 and IEC 60502-1

**0.6/1 KV
Insulated Flexible Cable
CU/PVC**



Standards: BS 6360, IEC 60332-1



Manumag Transformers

Manumag has implemented a quality management system following ISO 9001:2015 based on rationalizing processes and methods, searching employee's motivation and training, being conscious of environment and working risks to achieve an efficient and competitive enterprise. Standard according to EN-61558-2. TCS & TS series: transformers are intended to supply electric devices where a circuit separation is required. Protected against humidity by means of resin impregnation.



TS Series 127V / 220V – 12V / 24Vac, 220 / 380Vac – 12 / 24 / 42 / 48Vac, 110/...480Vac – 12 / 24 / 42 / 48Vac, IP00 – 1 phase - Safety transformers.

TCS Series 220V... 480V – 110V / 220Vac, IP00 - 1 phase - Isolation transformers.



AMB Series 220V / 127Vac, IP00 - Step up-down 1 phase autotransformer.



AMD Series 220V / 127Vac, IP00 – Step down 1 phase autotransformer.

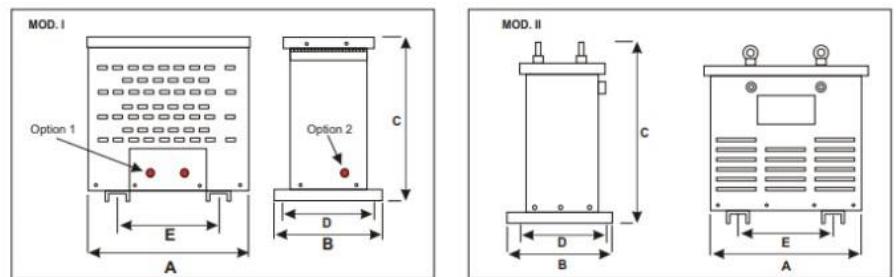


XRB Series 220 / 380 / 440 / 480Vac, IP23 – Step up-down 3 phase autotransformers.

PHONOVOX

PHONOVOX Transformers

AT-12/1 SERIES THREE PHASE AUTOTRANSFORMERS 480/440/380/220 V AC



KVA	DIMENSIONES DIMENSIONS (mm)					PESO WEIGHT (Kg)	MODELO MODEL
	A	B	C	D	E		
5	391	290	345	262	298	25	I
10	391	290	345	262	298	40	I
15	505	347	425	317	355	59	I
20	505	347	425	317	355	78	I
30	530	370	535	330	310	86	I
50	590	420	590	380	360	123	II
75	630	470	650	430	360	154	II
100	775	430	720	390	425	185	II
160	855	600	880	550	540	302	II

Description

Dry type transformer.
 Norms: According to EN 61558-2-13.
 Natural cooling by air.
 Transformer for indoor use only.
 Reversible Voltages 480/440/380/220 V AC.
 Windings: Class H (180°).
 Insulation Class F
 For continuous duty.
 Windings vacuum impregnated.
 Frequency: 50-60 Hz. or 60 Hz.
 Degree of protection: IP-23.
 YO Type connection (with access to neutral)
 Class I.
 Not resistant to short-circuits.
 Dielectric Strength: 2500 V.
 Two cable glands are included for installation.
 Models from 5 Kva to 160 Kva.
 Models from 5 Kva to 20 Kva have two options for holing (side and in front) to place the cable glands.

*Other voltages arrangements available according to customers requirements

*All specifications listed in this brochure are subject to change without notice



HPS Transformers

HPS is the largest manufacturer of dry-type transformers in North America. They engineer and manufacture a wide range of standard and custom transformers that are exported globally in electrical equipment and systems.

HPS Sentinel® G general purpose distribution transformers are rated for 600 volts and below. They are generally used for **supplying** appliance, lighting, heating, motorized machine and power loads from electrical distribution systems.

40 KVA
50 KVA
75 KVA
100 KVA
150 KVA
200 KVA
300 KVA
500 KVA



Heavy duty dry-type transformers NEMA type 3R HPS three phase autotransformers are available for applications where small voltage corrections are necessary in a distribution system. They are frequently used as an economical alternative to general purpose distribution isolation transformers to adjust the supply voltage to match specific load requirements when load isolation from the supply line is not required. Autotransformers can be used as either a step-up or step-down transformer.



REX Transformers

Autotransformers are transformers which have a single winding per phase, part of which is common to both primary and secondary circuits. Using an Autotransformer is an economical and compact means of connecting electrical equipment to a power supply or a different voltage. Part of the winding is common to both primary and secondary circuits so there is no isolation between the two. This may be acceptable on some power systems that do not have a grounded neutral on the secondary side of the main power transformer. Designed for installation where a reliable power source is required for lighting and other low voltage equipment and machinery. Indoor and outdoor installation is possible “NEMA type 3R” depending on the enclosure.

FEATURES & BENEFITS

- Performs same function as an isolation transformer of same kVA and voltage rating without the isolation feature.
- Generally radiates less noise than equivalent isolation transformer.
- All terminals are clearly identified and easy to connect.
- May be used in either step-up or step down configuration.
- Low regulation; less than three percent.
- Class 220 insulation used throughout range.
- CSA certified, File No. LR 34493.
- UL listed, File No. E108255.
- General-purpose ventilated steel enclosure suitable for indoor location. After fabrication, all metal is finished in ASA 61 grey power coating suitable for most industrial and commercial installations.
- Transformers in enclosures up to #7 may be readily hung on H-columns, walls, shelves or floor mounted to suit each installation. All units have lifting lugs, and removable top, front and rear panels for convenient access to the terminals.
- Transformers in enclosure #8 or larger are suitable for floor or platform mounting and complete with integral lifting lugs, and removable top, front, and rear panels for convenient access to the terminals.



SPECIFICATION

Capacity	<ul style="list-style-type: none"> • Single Phase: 3 to 333kVA • Three Phase: 5 to 1,000kVA
Voltage Class	1.2kV
Cooling	Air Cooled (ANN / AN)
Frequency	60Hz (50/60Hz Optional)
Conductors	Copper (Cu) or Aluminum (Al) Windings
Temperature Rise	150°C Rise (115°C or 80°C Optional)
Insulation System	220°C
Impregnation	Polyester Resin Dipped and Baked
Sound Level	Meets NEMA ST-20
Enclosure Type	Type 1 or 3R Indoor (Refer To Catalog)
Enclosure Finish	ANSI/ASA 61 Grey
Warranty	12 Months (See Warranty and Limitations)
Quality System	ISO 9001:2015 Quality Management System
Certifications	<ul style="list-style-type: none"> • CSA Certified • UL Listed
Reference Standards	<ul style="list-style-type: none"> • CSA C22.2 No 47 • CSA C9 • IEEE C57.12.01 • IEEE C57.12.91 • NEMA ST-20

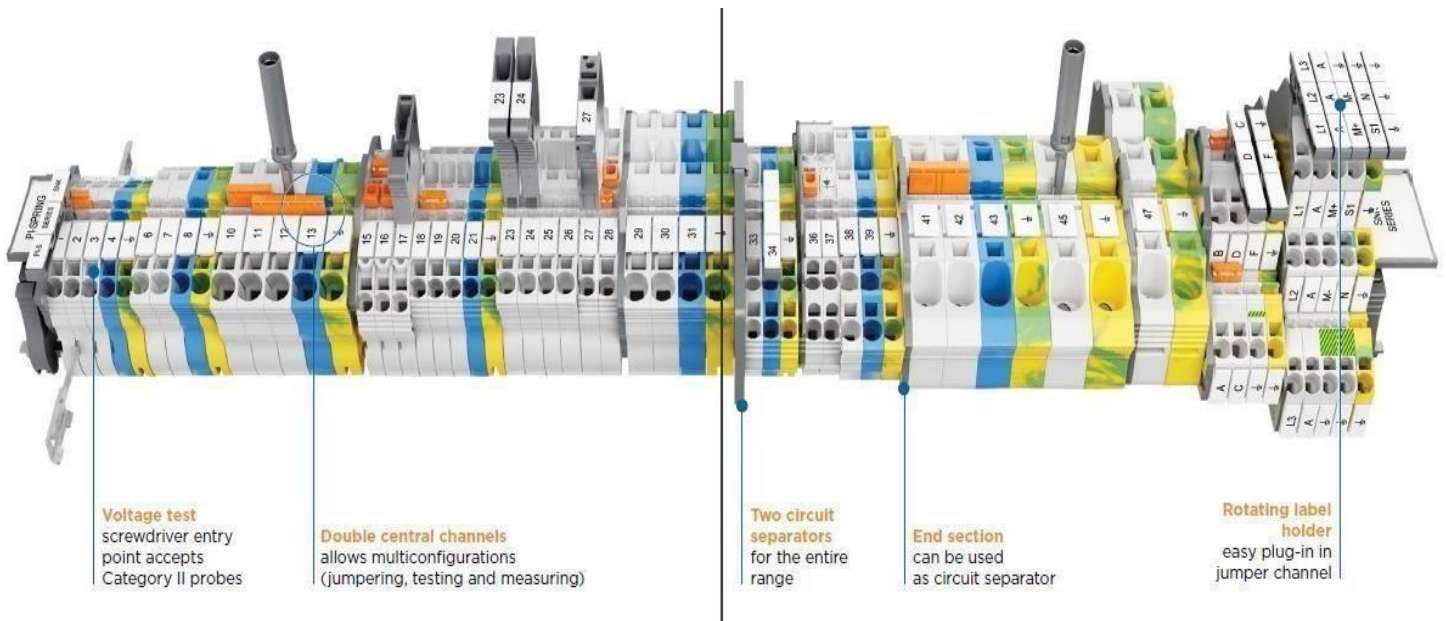


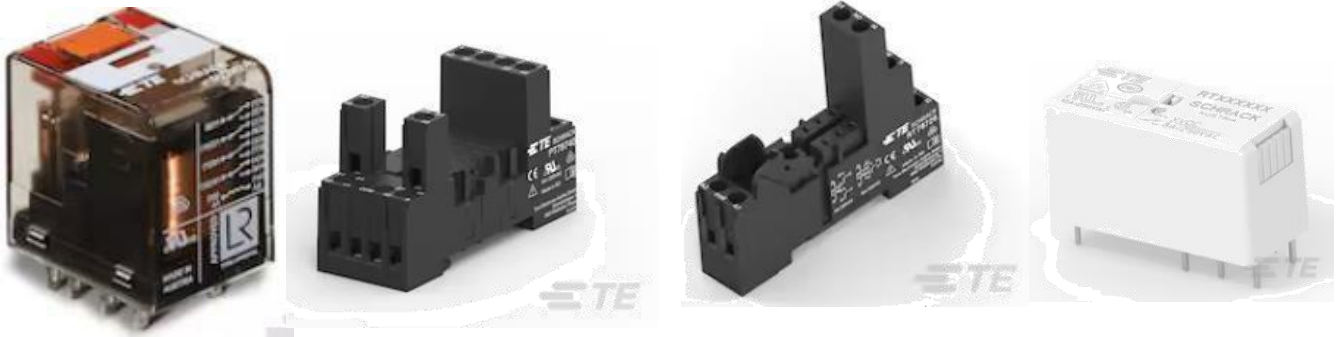
TE Connectivity offers one of the largest ranges of connection technologies (screw, PI-Spring, spring, IDC, pluggable, stud, etc.) with over 8,000 products.

The **SNK series** includes PI-Spring, screw clamp, and pluggable options with common accessories, qualified for harsh environments like hazardous areas, railways, marine, and solar.

PI-Spring patented design works as Push-in or spring connection:

- **Push-in:** quick one-step wire insertion (up to 50% faster than screw clamp).
- **Spring mode:** simple insertion without ferrule, screwdriver holds the clamp open, freeing hands for wiring tasks.





SCHRACK Miniature General Purpose Relays – Reliable Switching, Compact Design

Discover the power of **SCHRACK relays** from TE Connectivity – your go-to solution for safe, reliable, and flexible switching in control panels, industrial automation, and electrical systems.

- **Available Configurations:** 2PDT (2 Form C) & 4PDT (4 Form C)
- **Coil Voltages:** AC 24V / 115V / 230V, DC 12V / 24V / 48V / 110V
- **Contact Rating:** up to 6A for versatile applications
- **Compact & Durable Design:** space-saving, high reliability
- **Socket/Base Included:** easy installation, quick replacement
- Ideal for signal switching, circuit isolation, and industrial control

SCHRACK relays – engineered for performance, trusted worldwide, and built to handle your most demanding applications.



IDE Electric, S.L. (IDE) is a company working in the electrical sector which manufactures and distributes plastic and metal enclosures for low voltage electricity distribution and for the telecommunication sector. IDE also manufactures plugs and sockets for industrial applications.

The products manufactured by IDE are both for the electrical and the telecommunication sector.

Nowadays the company markets a very wide range of plastic and metallic enclosures for electrical products, industrial plugs and sockets, and telecommunication protection, and is in the position to compete with any multinational in the sector with its range of products, designs and quality.

A great number of the series of products are certified by VDE, which is an International Certification Institute for electrical products in Europe.

Every procedure in production, administration and design is certified under ISO 9001, by means of which the quality of them is also guaranteed.

Technical data

Degree of protection	IP65-IP67*
Resistance to impact	IK07
Glow wire resistance	650 °C
Ambient temperature range	-25 °C / +40 °C
Maximum operating voltage	1000 V AC / 1500 V DC
Double insulation	Class II
* Except EP048, EP088 and EX088 (IP54) references	



Materials

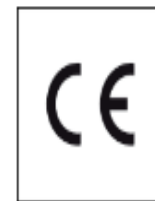
Halogen-free plastic materials.

Opaque base and cover: Shock-proof PS RAL 7035.

Transparent cover: PC tinted window, with UV protection.

Conical cable glands: PVC.

Certifications



According to low tension directive 2014/35/EU.
Norm: IEC 60670-22.



IDEAL® Yellow 77® is a wax-based wire pulling lubricant, safe for most cables, resistant to freezing, and dries to a thin non-conductive film. Easy to apply, environmentally safe, non-toxic, non-flammable, non-corrosive, UL listed, and stable from 0°C to 54°C.



IDEAL® Duct Seal is a non-toxic, UL-listed gray putty that stays permanently soft. It's easy to apply, paintable, non-corrosive, and ideal for sealing junction boxes, flashings, and service entrances, providing a durable barrier against moisture and air.



IDEAL® Blued-Steel™ is a durable carbon steel fish tape, rust-resistant, with precise measurement markings, housed in a strong and user-friendly case.

Swimming Pool Equipment's



PENTAIR WATER POOL AND SPA, INC.

At Pentair, we believe the health of our world depends on reliable access to clean, safe water. We deliver a comprehensive range of smart, sustainable water solutions to homes, business and industry around the world. Our industry leading and proven portfolio of solutions enables people, business and industry to access clean, safe water. Whether it's improving, moving or enjoying water, we help manage the world's most precious resource. Smart, Sustainable Water Solutions. For Life.

Our Product:

- **Pumps:**



MAX-E-PRO® POOL/SPA PUMPS

Strong performer. Industry leader
3HP, 3PH, 230/460V 60HZ

Superior performance and industry-leading innovation combine in the Max-E-Pro pool pump from Sta-Rite. Over 30 years after it was first introduced, Max-E-Pro's intelligent design continues to provide unmatched durability while requiring very little maintenance.



MAX-E-PROXF™ High Performance Pump

THE MOST POWERFUL, EFFICIENT MAX-E-PRO® EVER FOR COMMERCIAL POOLS
3HP, 1PH, 230V, 60HZ

The new Max-E-ProXF pump is the most efficient, technologically advanced high-capacity pump ever to wear the venerable Sta-Rite badge. With outstanding performance from both a maximum-flow and mean-flow perspective, it's perfectly suited for residential pools with water features such as slides and waterfalls, as well as commercial pools.



SuperMax® High Performance Pump by Sta-Rite

1HP, 1 1/2 HP, 2HP, 2 1/2 HP /60HZ, 1PH

SuperMax is a superior drop-in replacement for Super Pump®*. The advantage for consumers is its quiet operation and performance. The benefit to pool professionalises its ease of installation (union fittings are included and the pump easily drops in place)

• **Filters:**



Triton® II Side Mount Filter

FIBERGLASS SAND FILTER WITHOUT VALVES

Triton II Side Mount Filters are the original and still the industry standard. Our unique process creates a one-piece, fiberglass-reinforced tank with UV-resistant surface finish for years of unequalled strength and durability. This unique method locks in fiberglass, preventing fibers from "blooming" under harsh conditions.



Tagelus® Top Mount Filter

FIBERGLASS TANK WITH MULTIPORT VALVE, CLAMP STYLE

Our process creates a one-piece, fiberglass reinforced tank with superior strength and durability. Tagelus Top Mount Filters are equipped with a six-position, top-mounted multiport valve.

● **Lighting:**



IntelliBrite® 5G Color LED Pool Lights

THE MOST ENERGY-EFFICIENT COLOR LED POOL LIGHTING AVAILABLE

The incredibly efficient IntelliBrite 5G color-changing pool lights are made up of combinations of individual, color LED lights that are automatically sequenced at varying speeds, producing a vibrant spectrum of hues. The superior design allows for uniform light intensity and color while avoiding hot spots and glare.



AMERLITE®

THE WORLD STANDARD OF RELIABILITY FOR POOL LIGHTING

Amerlite, the world standard of reliability for underwater lights, features a stainless-steel shell, a 8.375-in. prismatic tempered glass lens and a stainless-steel face ring with uni-tension clamp. Amerlite systems are UL Listed to install in full-sized Pentair, American, PacFab and Purex niches .

● **Pool Heaters:**



ULTRATEMP HIGH PERFORMANCE POOL HEAT PUMP

SIMPLY THE MOST ECONOMICAL WAY TO HEAT POOLS AND SPAS

Heat your pool with an environmentally friendly pool and spa heat pump. Pentair’s UltraTemp pool and spa heat pump uses an ozone-friendly refrigerant and has a 100% pure titanium heat exchanger that assures corrosion-free performance for extra-long life.



MASTERTEMP HIGH PERFORMANCE POOL HEATER

As easy to use as your home-heating system, the MasterTemp pool heater has user-friendly indicator lights that make system operation and monitoring a snap. The compact design and quiet operation won't intrude on your swimming and poolside enjoyment.

• Pool Maintenance:

Every pool and spa need the right types of products to ensure its performing and looking its best. That's why Pentair offers a full range of manual cleaning tools, leaf traps, spare pool parts and more for everyday maintenance and repair.



FLEXIBLE POOL VACUUMS



FLOATS - FLOAT ROPE AND SAFETY HOOK



ANDSKIMMERS AND LEAF RAKES



POLES



Oscar Davis, a Hungarian immigrant to the USA, developed new ideas for pool equipment. These ideas are now in use across the world!

Oscar Davis worked as an apprentice in a Brooklyn plastics company. He wasted no time in setting up his own business, and in 1964 took over Irving Hayward's metal foundry, established in 1925.

Davis had a fantastic idea, which was totally new at the time: to use plastic to make pool equipment. Performance, reliability and affordability: Hayward revolutionised the swimming pool industry, turning it on its head.

Hayward becomes an innovating model, imposing on the market recognized products such as the PoolVac, the Super Pump®, the Pro™ Series filters to mention only a few products.

● Pumps:

Hayward has the broadest lineup of pool pumps in the industry, assuring you will have the perfect pump for your pool. From industry-standard single-speed pumps speed pumps, all delivering powerful, reliable performance.



Super Pump 700 ®

The Super Pump 700 which includes additional features, such as an enhanced totally enclosed fan-cooled motor design and top-mount wiring compartment for easy installation.

MaxFlo™



MaxFlo™ is the economical pool pump that offers trusted performance for entry-level applications. It is a reliable option for all types and sizes of pools with smaller, original plumbing.

• **Filters:**

ProSeries™

TOP-MOUNT SAND FILTERS



ProSeries top-mount sand filter utilize a precision engineered umbrella-fold self-cleaning system to provide efficient flow and evenly distributed water for totally balanced backwashing and long lasting performance.

• **Lighting:**



Universal ColorLogic LED Pool & Spa Lights



AstroLite Pool Lighting



AstroLite II Spa Lighting

- **Heaters:**



These medium capacity pool and spa heaters feature a built-in flow switch to prevent operation when there is no water flow and allow operation at flow rates between 75LPM and 300LPM.



Universal H-Series/Gas Heater



Electric Spa Heater

amerec



Sauna Heaters



AK Steam Generator

• **Air Blower:**



Outdoor Blowers

-Silencer

-Astro

-Galaxy



- **Pool Parts and Accessories:**

White Goods:





SP1096

SP1082



Acqua Source manufactures swimming pool equipment, like fiberglass filters, light up to 300W, led technology light, pool ladders, stainless fittings and many more. Moreover, we manufacture, complete fountain system with stable, programmed or musical water features.

We aim to serve reliably every need of the most demanding professionals dealing with swimming pools and fountains.

All our products are constructed according to the highest standard and under the instructions of ISO 9001 & 9002.

- **Filter:**



Plastic sand filter KNX-series
Polyethylene sand filter for residential pools, KNX series.



Plastic sand filter KNT-series
Polyethylene sand filter for residential pools, KNT series

● Pool accessories:



Abs Frame and Grate

Square frame and grate made of white ABS.
It is produced in 9"x9", 12"x12" and is available just for concrete pools.
It is chemical resistant and UV-protected



Main Drain Grille DG

Round drain grille made of durable white ABS



Stainless steel frames and grates, DG series

Frames and grates made of pure stainless steel AISI-316 that does not corrode or gets affected by any chemical substance in the water.



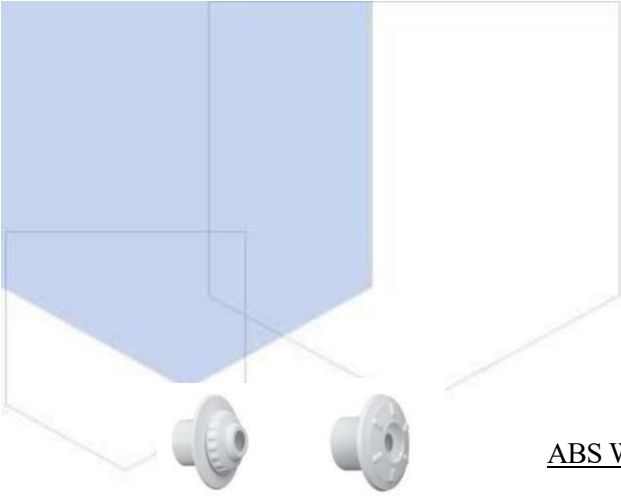
Overflow grating single

Overflow grating in modern design providing a nice looking finish for the pool's edge and a perfect overflow system. Individual grates of 180 mm, 240 mm or 300 mm width, clip together and form complete.



Floating thermometer PT-100

Floating thermometer with dual degree range scales (°F & °C) providing a continuous accurate measurement of the pool's or spa's temperature. A 100cm-long polyethylene cord is tied at the thermometer top part



ABS WATER RETURN INLETS (RI-SERIES)



ABS WATER BOTTOM INLET (ABI-SERIES)



STAINLESS STEEL BOTTOM INLET (SBI-SERIES)



SKIMMER FOR CONCRETE POOLS EPS-100



Connection box, CB-series

Connection box made of strong white ABS plastic, produced in two different versions. 100 mm height and 60 mm height



Safety products/ Life rings & life hook

● **Pool Lighting:**



Stainless Steel Face ULP AS

High quality stainless steel (AISI-316) pool light equipped with a resin filled LED bulb of 90, 324 or 531 LED units that prevent water from infiltrating the light.



White ABS Plastic LED Pool Light

White ABS plastic pool light bearing a resin filled LED bulb of 324 or 531 LED units that prevent water from infiltrating the light. It is available in cool white or RGB color in 16 illumination programmed modes. It has a niche for mounting in concrete or liner structures. Elegant conical shaped front face of 290 mm overall diameter



Recessed HALOGEN Pool/spa light, ULS-2

White ABS plastic underwater pool or spa light, ideal for pools with white equipment, endowing them with an elegant look. It has a 12V-35W or 50W halogen bulb, exceptional chemical resistance and UV protection.



Recessed LED pool/spa light, ULSD-5

Underwater pool or spa light with a faceplate of stainless steel (AISI-316) and a body of bronze chrome plated



Recessed LED pool light ULPD-1R / LPLD-1R

High quality stainless steel (AISI-316) pool light equipped with a resin filled LED bulb of 90, 324 or 531 LED units that prevent water from infiltrating the light.

• **Fountain accessories:**



Cas cade jet, CJ-series



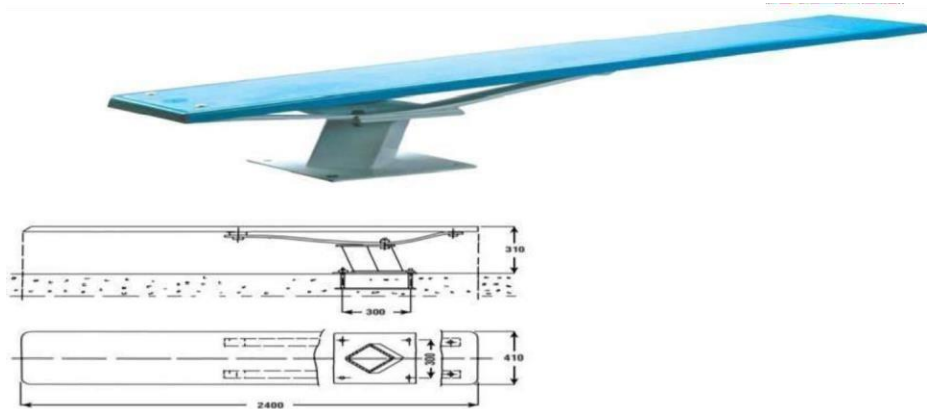
Mushroom jet, MJ-series



Adjustable Smooth bore jet, ASB-series



Finger jet, FJ-series



Diving board DB-241

Diving boards attractively designed for residential swimming pools. Manufactured by high quality hand laid.

fiberglass over laminated wood. Two wooden rods come all the way along the board ensuring the final product's strength and durability. The diving board base is made of polyester-fiberglass and features metal support fittings. The body comes in a variety of length such as:2,40.



Filinox and Torbesa has a large selection of more than 10,000 products for industry, the service sector and the household goods sector. They all have the common feature of being made of stainless steel. Each of the six divisions includes the following stainless-steel products:

PRES SFO TT ING :

Manufacturing and sale of pressfitting accessories and pipes made of stainless steel and carbon steel for the conduction of liquids and gases in heating and sanitary hot water installations, fire-fighting installations and industrial installations, among others.

SWIMMING POOL:

Design and construction of stainless steel accessories for public, private and wellness centre pools.

ANCHORING PARTS:

We specialise in the design and manufacture of stainless steel anchoring parts, special parts made to order and we are leaders in the distribution of screws and standard anchoring parts.

HEATING TREA TMENT PARTS:

Design and manufacturing of the necessary refractory stainless steel products for heat treatment, enamelling, wire and powder metal facilities, pressure vessels, muffles, radiant tubes, and other heating treatment parts.

IND USTR IAL :

Design and manufacture of stainless steel products for the food industry (smoked food, dairy food, precooked food,...), canning industry, meat industry, hotel, restaurant and catering sector, collectivities activities, public services, laboratories and hospitals.

KITCHEN AND WARDROBE ACCESSORIES:

Design, manufacture and sale of storage and classification solutions for the home, mainly for kitchen furniture and wardrobes.



Ladder U Type



Ladder stand



Manumag has implemented a quality management system following ISO 9001:2015 based on rationalizing processes and methods, searching employee's motivation and training, being conscious of environment and working risks to achieve an efficient and competitive enterprise. Standard according to EN-61558-2. **TCS & TS series:** transformers are intended to supply electric devices where a circuit separation is required. Protected against humidity by means of resin impregnation.

Product:

SAFETY TRANSFORMERS P. 36 FOR SWIMMING POOL LIGHTING

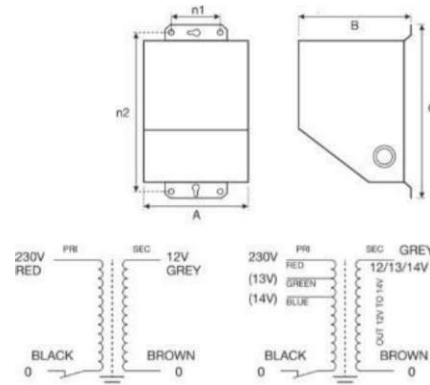
TW SERIES | 230V / 12Vac

PRIMARY VOLTAGE: 230Vac

SECONDARY VOLTAGES: 12V or 12-13-14Vac



Power(VA)	Input (v.)	Output (v.)
300-1	230	12
300-3	230	12-13-14
600-1	230	12
600-3	230	12-13-14



Pahlén 
swimming pool equipment

A well-maintained pool with clean, clear, sparkling water promises many enjoyable moments, as well as a refreshing dip in the morning or an evening swim in the glow of the pool lights. Your pool will come to be the place where your family and friends naturally congregate.

The Pahlén products are made of bronze and acid-proof stainless steel, high quality materials, that guarantee reliability and a long life. They are manufactured in our factory in Upplands Väsby, where they are also carefully checked of quality before delivered to our customers.

- **Swimming pool pump in bronze:**

Pool pump P2000 &P85



Jet Swim 2000



- **Pool Heating:**

Electric heaters for pool or spa



Compact 18kW

Compact electric swimming pool heaters are available with 18 kW. They are supplied with a thermostat as well as an overheating cutout. For extra security, a flow switch or pressure switch protects the heating element from damage if the flow to the heater is insufficient.



MidiHeat Titanium

MidiHeat is manufactured from materials of the highest quality. The casing made of powder coated zinc sheet not only gives the product a very stable construction, it also makes the product highly resistant against corrosion. MidiHeat has a temperature range of 8-45°C. Heating elements of titanium does not only make the heating highly effective, it also makes the heating element fully corrosion free



Within the well known PRAHER GROUP Peraqua has been concentrating since 2005 on marketing and sales of products made by PRAHER PLASTICS - ABS & PVC swimming pool valves, pipes, fittings and ABS white goods- with an experience of more than 45 years. Under the brand names OCEAN® / PRAHER PLASTICS® / IBG® these product lines are successfully exported to more than 65 countries. The private brand „SMART“ is a completion of the product assortment with strategically important products for a "SMART POOL CONCEPT".

In many product segments, today Peraqua is technological market leader in the pool industry and one of the largest supplier worldwide for manual and automatic 6 way valves. Besides many standardized products, Peraqua also offers a wide range of personalized products for the wholesalers as well as system solutions for fully automatic "SMART" pool control concepts.



**Praher Plastics® 7-position
backwash valve V6 side
mount 2" ABS**



Smart Wall brush blue, 45 cm/18"



2-way ball valve S6

Contact Us

Head office open from Sunday to Thursday at 8:00 AM – 5:00 PM

Showrooms open from Sunday to Thursday at 8:30 AM – 6:30 PM

Our addresses:

Head Office, Saudi Arabia, Jeddah.

Saudi Arabia, Jeddah

Alruwais district – Al Andalus Street, Platinum Plaza 3rd floor, Office No. 303

Tel: +966 12 653 2223

Riyadh Office:

AL AHSA ROAD - MALAZ - Riyadh - Saudi Arabia

Tel: +966 11 210 8878

Dammam Office:

Dammam Office, Saudi Arabia

King Saud Bin Abdulaziz Street – Al Mazroeah, Dammam 32414.

Tel: +966 13 834 8991

Thank you for your interest, for further details please visit our website the shown below:

www.alsuhaili.com